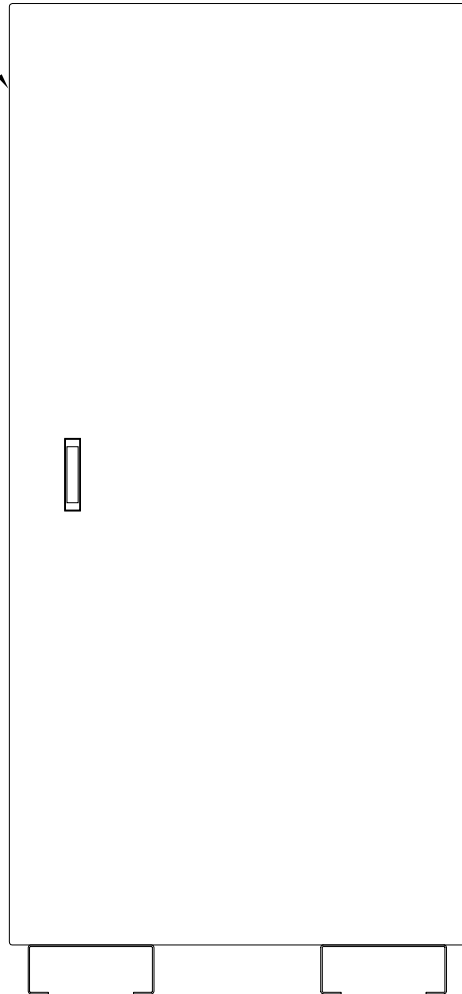
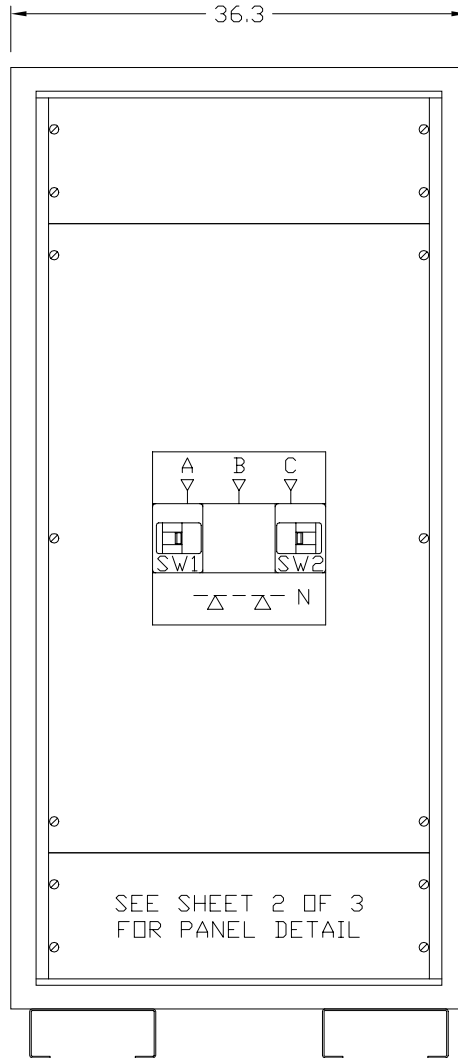


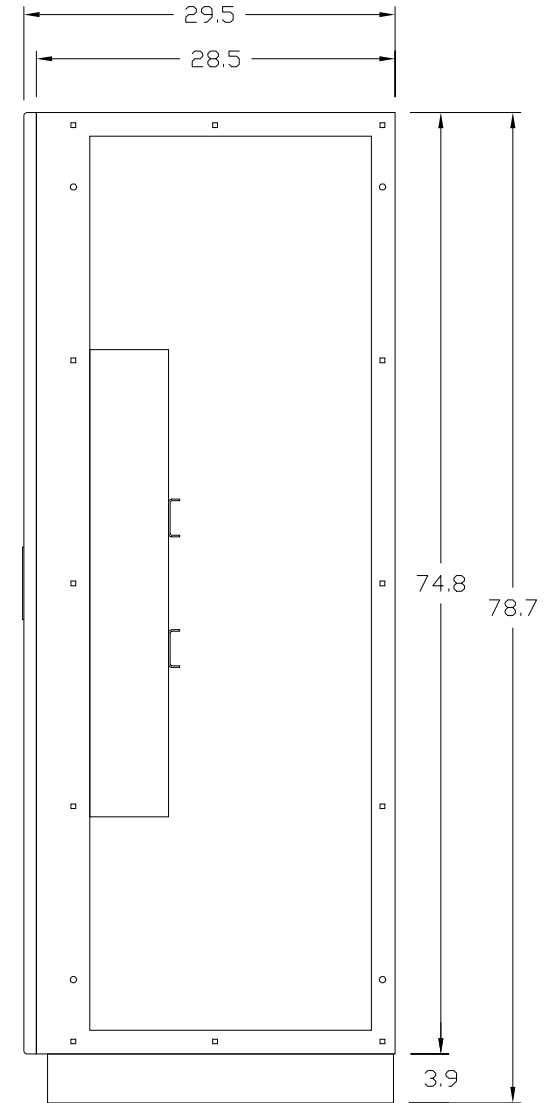
REMOVABLE LEFT
SIDE COVER



FRONT VIEW
DOOR SHOWN



FRONT VIEW
DOOR REMOVED



RIGHT SIDE VIEW
SIDE COVER REMOVED

This Document Contains Proprietary and Confidential Information.
Duplication, reproduction or use of this document or its contents in any form other than as expressly permitted by Kinney Electrical Mfg. Co., is prohibited.

MITSUBISHI ELECTRIC
VERNON HILLS, ILLINOIS

REVISIONS

PART NO.: SEE TABLE

DESCRIPTION: 2 BREAKER 9700 SERIES MBP PANEL - 400 AMP MAX.

MEAU APPROVED: *JMA*

KINNEY APPROVED: *RFM*

REV.: *

DATE: 11-1-2000

CAD FILE:

DRAWING NO.:

SHEET:

DRAWN BY: RFM

MBF97000400A01

M0000131

1 OF 3

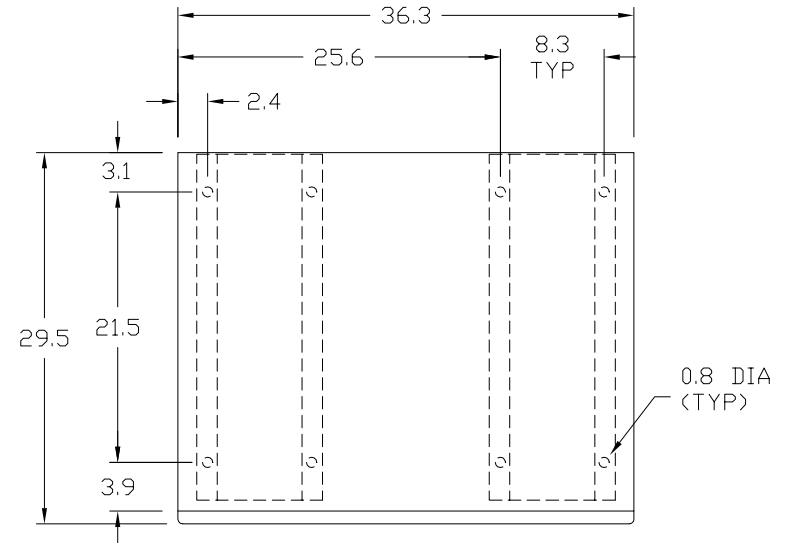
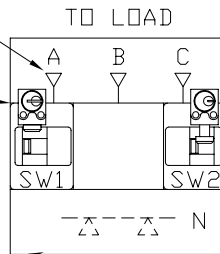
400 AMP M.L.O.
W/ (1) #4-600MCM
LUG PER PHASE
(TYP)

KEY INTERLOCK (2)

MAINTENANCE
BYPASS

UPS
OUTPUT
ISOLATION

400 AMP NEUTRAL
W/ (2) #4-600MCM
LUGS



PLAN VIEW
ANCHOR DETAIL

This Document Contains Proprietary and Confidential Information.
Duplication, reproduction or use of this document or its contents in any form
other than as expressly permitted by Kinney Electrical Mfg. Co., is prohibited.

MITSUBISHI ELECTRIC
VERNON HILLS, ILLINOIS

REVISIONS

PART NO.: SEE TABLE

DESCRIPTION: 2 BREAKER 9700 SERIES MBP PANEL - 400 AMP MAX.

MEAU APPROVED: *JMA*

KINNEY APPROVED: *RFM*

REV.: *

DATE: 11-1-2000

CAD FILE:

DRAWING NO.:

SHEET:

DRAWN BY: RFM

MBF97000400A01

M0000131

2 OF 3

