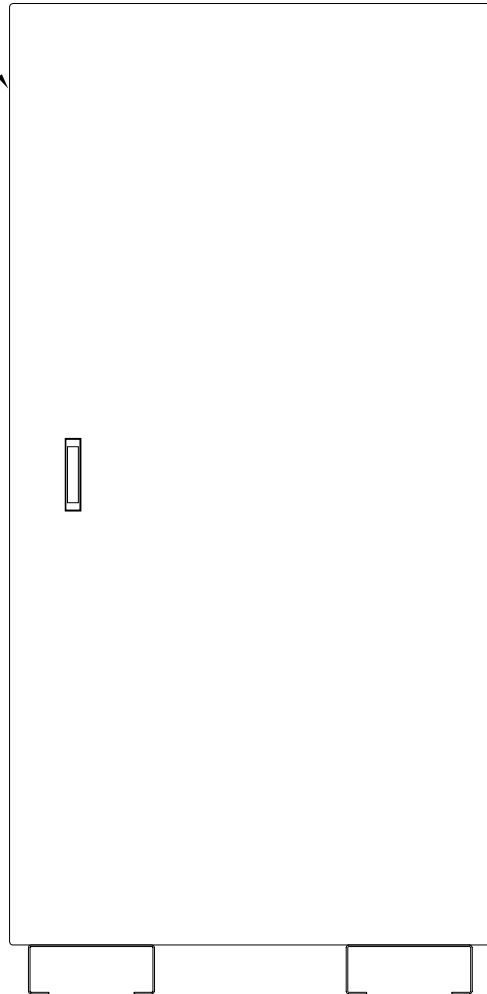
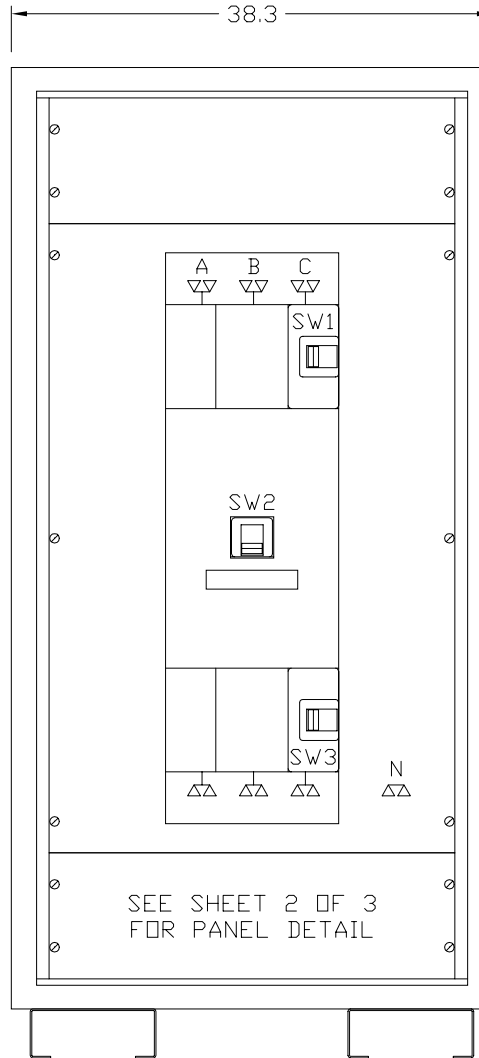


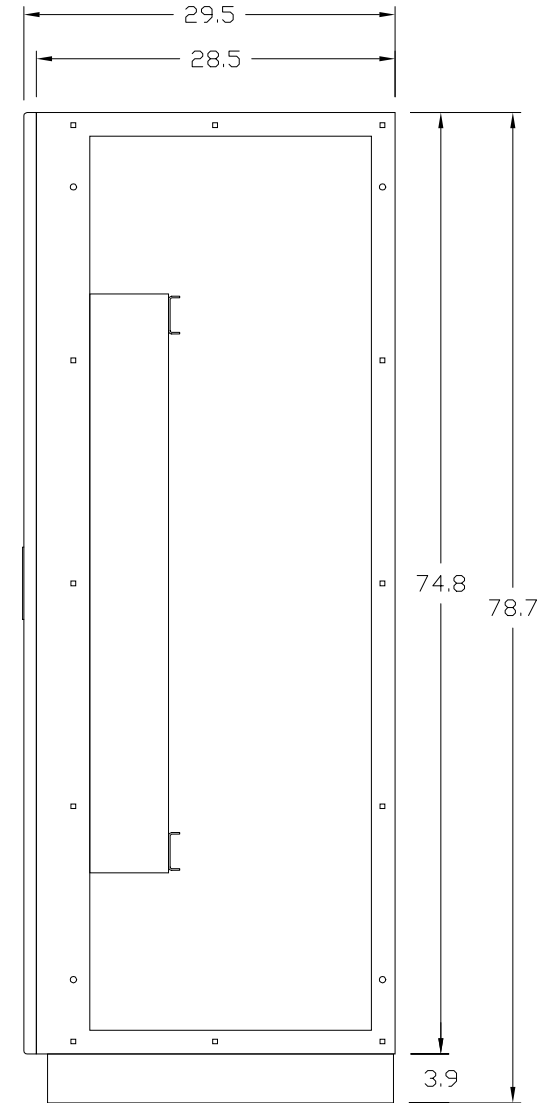
REMOVABLE LEFT
SIDE COVER



FRONT VIEW
DOOR SHOWN



FRONT VIEW
DOOR REMOVED



RIGHT SIDE VIEW
SIDE COVER REMOVED

This Document Contains Proprietary and Confidential Information.
Duplication, reproduction or use of this document or its contents in any form other than as expressly permitted by Kinney Electrical Mfg. Co., is prohibited.

MITSUBISHI ELECTRIC
VERNON HILLS, ILLINOIS

REVISIONS

PART NO.: FB973-CDP-600-208N

DESCRIPTION: 3 BREAKER 9700 SERIES MBP PANEL - 600 AMP MAX.

MEAU APPROVED: *JMA*

KINNEY APPROVED: *RFM*

REV.: *

DATE: 11-1-2000

CAD FILE:

DRAWING NO.:

SHEET:

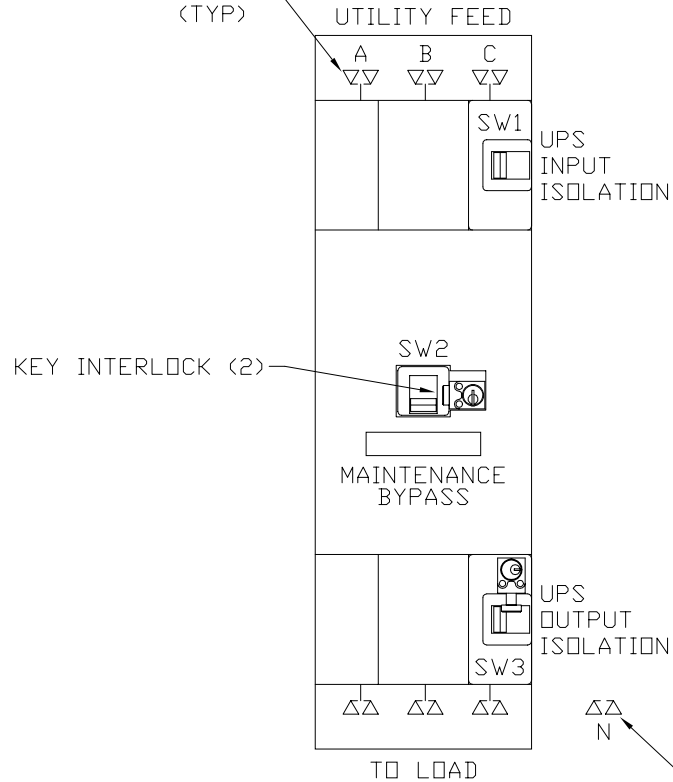
DRAWN BY: RFM

MBF97000600A02

M0000134

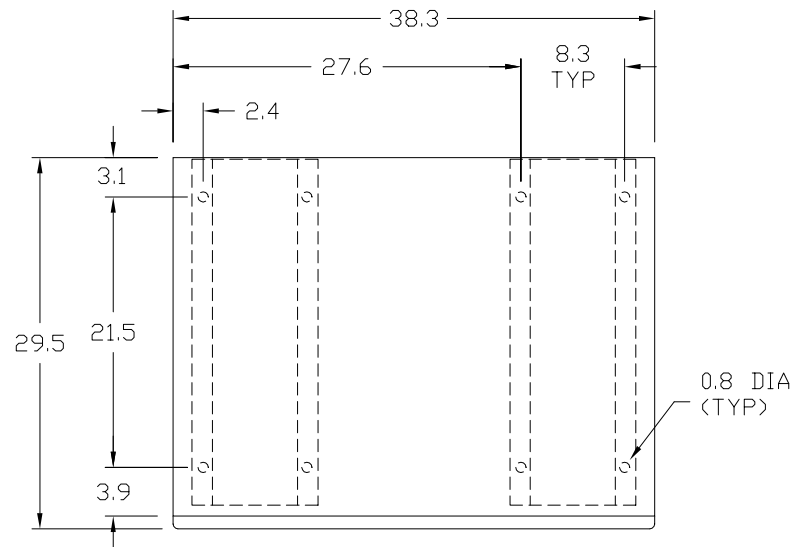
1 OF 3

600 AMP M.L.D.
W/ (2) #6-350MCM
LUGS PER PHASE
(TYP)



PANEL WITH INTERLOCKS

NEUTRAL BUS W/
(4) #6-350MCM
LUGS



PLAN VIEW
ANCHOR DETAIL

This Document Contains Proprietary and Confidential Information.
Duplication, reproduction or use of this document or its contents in any form other than as expressly permitted by Kinney Electrical Mfg. Co., is prohibited.

MITSUBISHI ELECTRIC
VERNON HILLS, ILLINOIS

REVISIONS

PART NO.: FB973-CDP-600-208N

DESCRIPTION: 3 BREAKER 9700 SERIES MBP PANEL - 600 AMP MAX.

MEAU APPROVED: *Jma*

KINNEY APPROVED: *RFM*

REV.: *

DATE: 11-1-2000

CAD FILE:

DRAWING NO.:

SHEET:

DRAWN BY: RFM

MBF97000600A02

M0000134

2 OF 3

3 BREAKER MAINTENANCE BYPASS PANEL (MBP) 300-600 AMPERES

PART NUMBER:

FB973-X X X-600-208 N

A.I.C. RATING OPTION

ACCESSORY OPTION 1

ACCESSORY OPTION 2

INTERLOCK OPTION

PART NUMBER	UPS SERIES	KVA	BREAKER TYPE	AMPERES	SERVICE	A. I. C. RATING
FB973-CDP-600-208N	9700/9800	150	LD	600	208/120V	65,000

A.I.C. RATING CODES:

H - HIGH INTERRUPTING
U - ULTRA HIGH INTERRUPTING

INTERLOCK OPTION:

K - KEY INTERLOCK
N - NONE

ACCESSORY CODES:

- 1 - 1a/1b AUXILIARY SWITCH
- 2 - 2a/2b AUXILIARY SWITCH
- 3 - 24VDC UNDER VOLTAGE RELEASE
- 4 - 1m/1b ALARM/LOCKOUT SWITCH
- 5 - 1a/1b AUXILIARY & 1m/1b ALARM SWITCH

NOTES:

- 1. ACCESSORIES NORMALLY INSTALLED ON SW2.
- 2. PUT LOWEST CODE IN OPTION 1, i.e. 12, 24.

A. I. C. RATING	208/120V	RATING CODE
35,000	--	--
50,000	--	--
65,000	LD	--
100,000	HLD	H
200,000	LDC	U

ENCLOSURE NOTES:

ENCLOSURE: NEMA 1 (UL 50 LISTED ENCLOSURE).

BOX: 12 GAUGE PAINTED STEEL, CONTINUOUSLY WELDED SEAMS AND CORNERS, NO KNOCKOUTS.

DOOR: 12 GAUGE PAINTED STEEL EQUIPPED WITH MITSUBISHI HANDLE WITH THREE POINT CATCH.

FINISH: MITSUBISHI BEIGE POLYESTER POWDERCOAT APPLIED TO SURFACES TREATED WITH AN IRON PHOSPHATE AND CHROME FREE SEALER.

MAINTENANCE BYPASS PANEL NOTES:

KINNEY PANEL TYPE: CDP (UL 67 LISTED INTERIOR)

SERVICE: SEE TABLE ABOVE.

BUS : ELECTROLYTIC COPPER OF 98% CONDUCTIVITY, BASED ON 1000 AMPS PER SQUARE INCH DENSITY.

WIRE BENDING GUTTER: MEETS OR EXCEEDS NEC TABLES 373-6(a), 373-6(b).

BREAKERS: WESTINGHOUSE THERMAL-MAGNETIC, 600 AMP FRAME, 3 POLE, TRIP AS INDICATED:

SEE TABLE ABOVE FOR BREAKER TYPE, AMPERES, AND A.I.C. RATING.

BREAKER TERMINAL LUG: (2) 3/0-350MCM PER PHASE.

KEY INTERLOCK: KIRK TYPE F, BREAKERS ARE INTERLOCKED SO AT LEAST ONE BREAKER IS ON AT ANY GIVEN TIME.

This Document Contains Proprietary and Confidential Information.
Duplication, reproduction or use of this document or its contents in any form other than as expressly permitted by Kinney Electrical Mfg. Co., is prohibited.

MITSUBISHI ELECTRIC
VERNON HILLS, ILLINOIS

REVISIONS				PART NO.: FB973-CDP-600-208N		
				DESCRIPTION: 3 BREAKER 9700 SERIES MBP PANEL - 600 AMP MAX.		
				MEAU APPROVED: <i>JMA</i>	KINNEY APPROVED: <i>RFM</i>	REV.: *
				DATE: 11-1-2000	CAD FILE:	DRAWING NO.: SHEET:
				DRAWN BY: RFM	MBF97000600A02	M0000134 3 OF 3