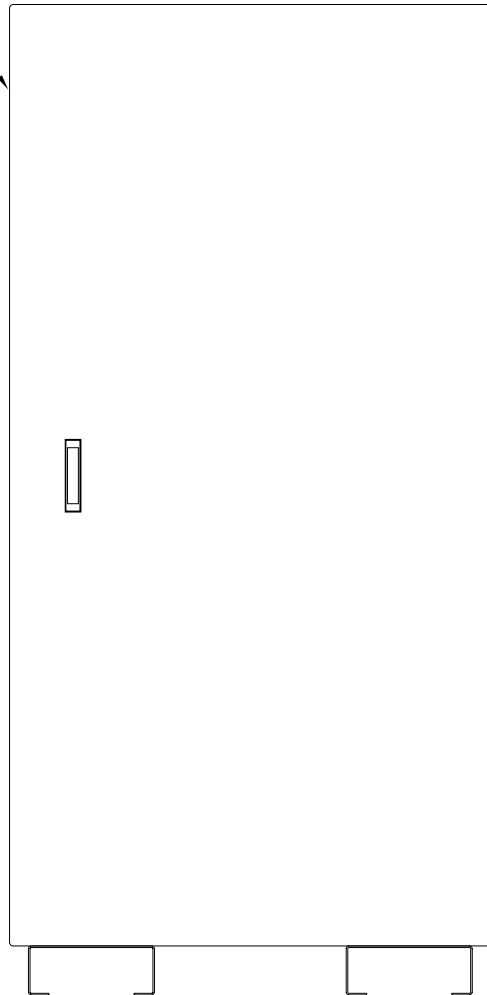
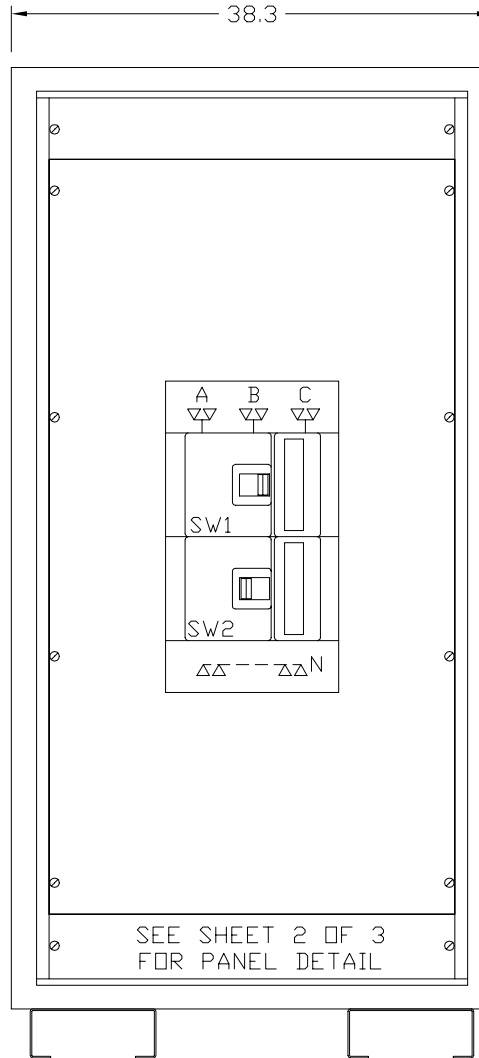


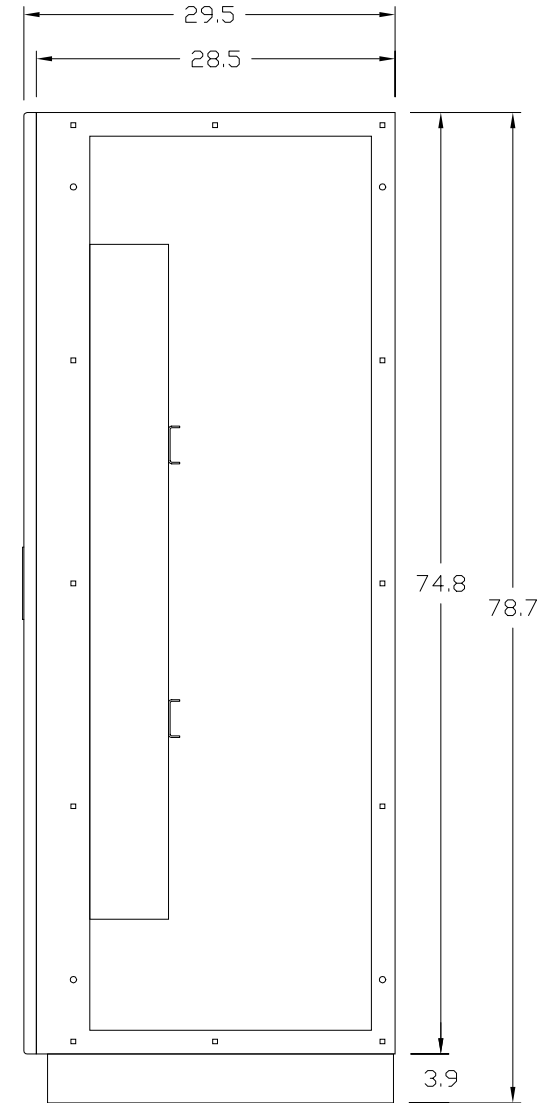
REMOVABLE LEFT
SIDE COVER



FRONT VIEW
DOOR SHOWN



FRONT VIEW
DOOR REMOVED



RIGHT SIDE VIEW
SIDE COVER REMOVED

SEE SHEET 2 OF 3
FOR PANEL DETAIL

This Document Contains Proprietary and Confidential Information.
Duplication, reproduction or use of this document or its contents in any form
other than as expressly permitted by Kinney Electrical Mfg. Co., is prohibited.

MITSUBISHI ELECTRIC
VERNON HILLS, ILLINOIS

REVISIONS

PART NO.: FB972-CDP-800-208N

DESCRIPTION: 2 BREAKER FREE STANDING MBP PANEL - 800 AMP MAX.

MEAU APPROVED: *JMA*

KINNEY APPROVED: *RFM*

REV.: *

DATE: 11-1-2000

CAD FILE:

DRAWING NO.:

SHEET:

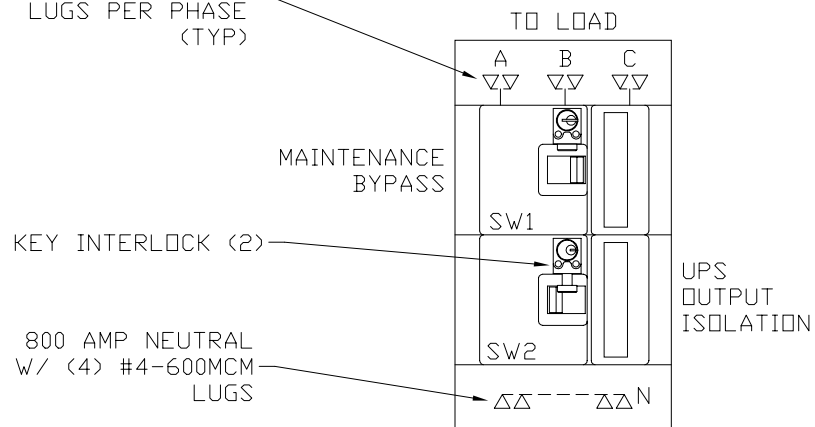
DRAWN BY: RFM

MBF97000800A01

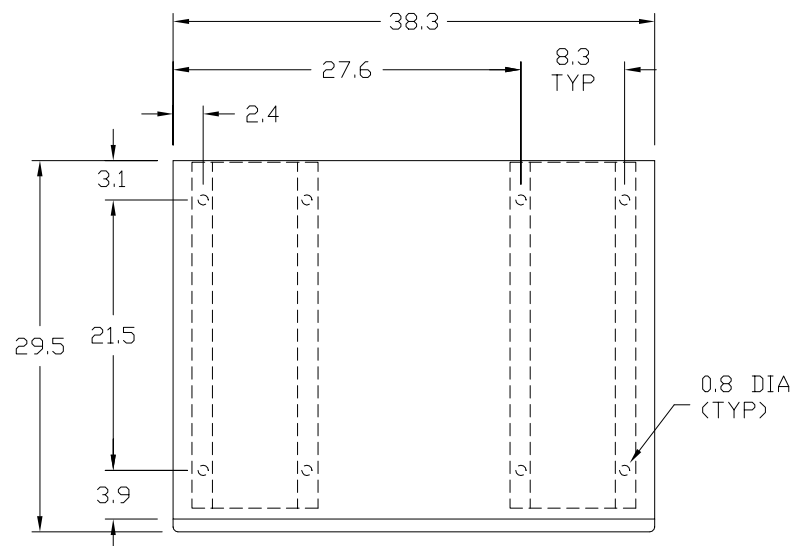
M0000137

1 OF 3

800 AMP M.L.D.
W/ (2) #4-600MCM
LUGS PER PHASE
(TYP)



PANEL WITH INTERLOCKS



PLAN VIEW
ANCHOR DETAIL

This Document Contains Proprietary and Confidential Information.
Duplication, reproduction or use of this document or its contents in any form other than as expressly permitted by Kinney Electrical Mfg. Co., is prohibited.

MITSUBISHI ELECTRIC
VERNON HILLS, ILLINOIS

REVISIONS

PART NO.: FB972-CDP-800-208N

DESCRIPTION: 2 BREAKER FREE STANDING MBP PANEL - 800 AMP MAX.

MEAU APPROVED: *JMA*

KINNEY APPROVED: *RFM*

REV.: *

DATE: 11-1-2000

CAD FILE:

DRAWING NO.:

SHEET:

DRAWN BY: RFM

MBF97000800A01

M0000137

2 OF 3

2 BREAKER MAINTENANCE BYPASS PANEL (MBP) 400-800 AMPERES

PART NUMBER:

FB972-X X X-800-208 N

A.I.C. RATING OPTION

ACCESSORY OPTION 1

ACCESSORY OPTION 2

INTERLOCK OPTION

PART NUMBER	UPS SERIES	KVA	BREAKER TYPE	AMPERES	SERVICE	A. I. C. RATING
FB972-CDP-800-208N	9700/9800	225	MDL	800	208/120V	65,000

A.I.C. RATING CODES:

H - HIGH INTERRUPTING

INTERLOCK OPTION:

K - KEY INTERLOCK

N - NONE

ACCESSORY CODES:

1 - 1a/1b AUXILIARY SWITCH

2 - 2a/2b AUXILIARY SWITCH

3 - 24VDC UNDER VOLTAGE RELEASE

4 - 1m/1b ALARM/LOCKOUT SWITCH

5 - 1a/1b AUXILIARY & 1m/1b ALARM SWITCH

NOTES:

1. ACCESSORIES NORMALLY INSTALLED ON SW1.

2. PUT LOWEST CODE IN OPTION 1, i.e. 12, 24.

A. I. C. RATING	208/120V	RATING CODE
65,000	MDL	--
100,000	HMDL	H

ENCLOSURE NOTES:

ENCLOSURE: NEMA 1 (UL 50 LISTED ENCLOSURE).

BOX: 12 GAUGE PAINTED STEEL, CONTINUOUSLY WELDED SEAMS AND CORNERS, NO KNOCKOUTS.

DOOR: 12 GAUGE PAINTED STEEL EQUIPPED WITH MITSUBISHI HANDLE WITH THREE POINT CATCH.

FINISH: MITSUBISHI BEIGE POLYESTER POWDERCOAT APPLIED TO SURFACES TREATED WITH AN IRON PHOSPHATE AND CHROME FREE SEALER.

MAINTENANCE BYPASS PANEL NOTES:

KINNEY PANEL TYPE: CDP (UL 67 LISTED INTERIOR)

SERVICE: SEE TABLE ABOVE.

BUS: ELECTROLYTIC COPPER OF 98% CONDUCTIVITY, BASED ON 1000 AMPS PER SQUARE INCH DENSITY.

WIRE BENDING GUTTER: MEETS OR EXCEEDS NEC TABLES 373-6(a), 373-6(b).

BREAKERS: WESTINGHOUSE THERMAL-MAGNETIC, 800 AMP FRAME, 3 POLE, TRIP AS INDICATED:

SEE TABLE ABOVE FOR BREAKER TYPE, AMPERES, AND A.I.C. RATING.

BREAKER TERMINAL LUG: (2) 500-750MCM PER PHASE.

KEY INTERLOCK: KIRK TYPE F, BREAKERS ARE INTERLOCKED SO AT LEAST ONE BREAKER IS ON AT ANY GIVEN TIME.

This Document Contains Proprietary and Confidential Information.
Duplication, reproduction or use of this document or its contents in any form other than as expressly permitted by Kinney Electrical Mfg. Co., is prohibited.

MITSUBISHI ELECTRIC
VERNON HILLS, ILLINOIS

REVISIONS			PART NO.: FB972-CDP-800-208N		
1	REVISED BKR. NOTES 5-24-01		DESCRIPTION: 2 BREAKER FREE STANDING MBP PANEL - 800 AMP MAX.		
			MEAU APPROVED: <i>Jma</i>	KINNEY APPROVED: <i>RFM</i>	REV.: 1
			DATE: 11-1-2000	CAD FILE:	DRAWING NO.: SHEET:
			DRAWN BY: RFM	MBF97000800A01	M0000137 3 OF 3