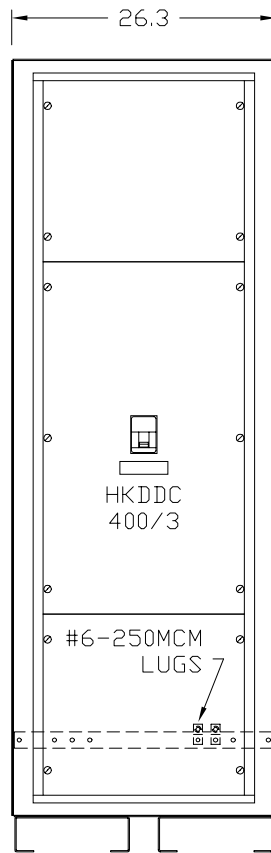
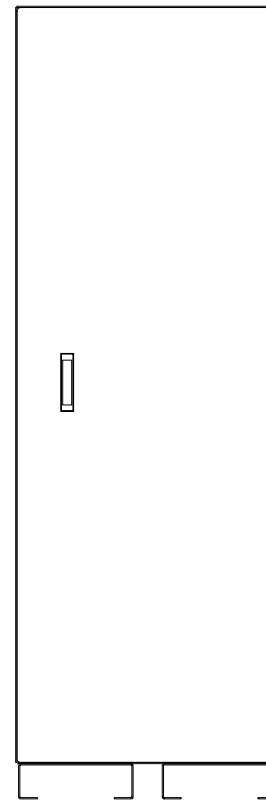


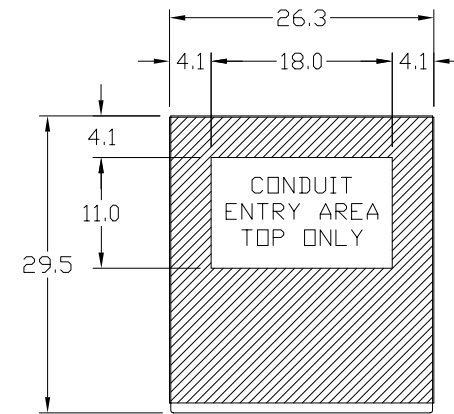
LEFT SIDE VIEW  
SIDE COVER REMOVED



FRONT VIEW  
DOOR REMOVED



FRONT VIEW  
DOOR SHOWN



PLAN VIEW  
CONDUIT ENTRY DETAIL

This Document Contains Proprietary and Confidential Information.  
Duplication, reproduction or use of this document or its contents in any form other than as expressly permitted by Kinney Electrical Mfg. Co., is prohibited.

MITSUBISHI ELECTRIC  
VERNON HILLS, ILLINOIS

REVISIONS

PART NO.: SEE TABLE

DESCRIPTION: 9700 / 9800 DC LANDING CABINET - 400 AMP MAX

MEAU APPROVED: *JMA*

KINNEY APPROVED: *RFM*

REV.: \*

DATE: 1-18-2001

CAD FILE:

DRAWING NO.:

SHEET:

DRAWN BY: RFM

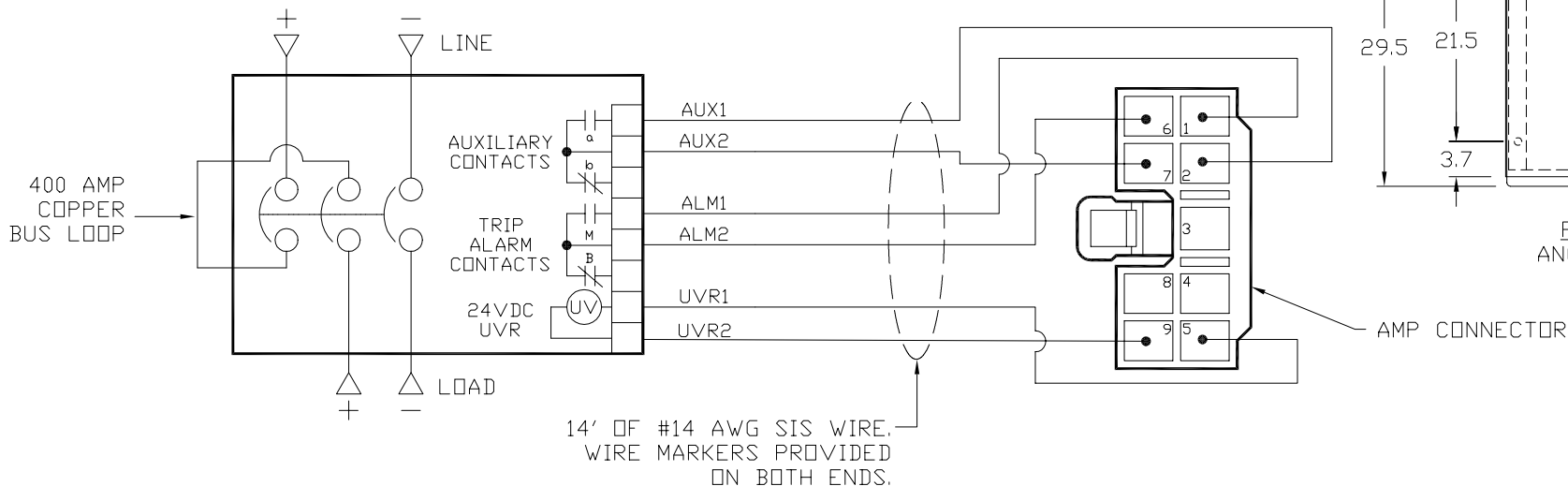
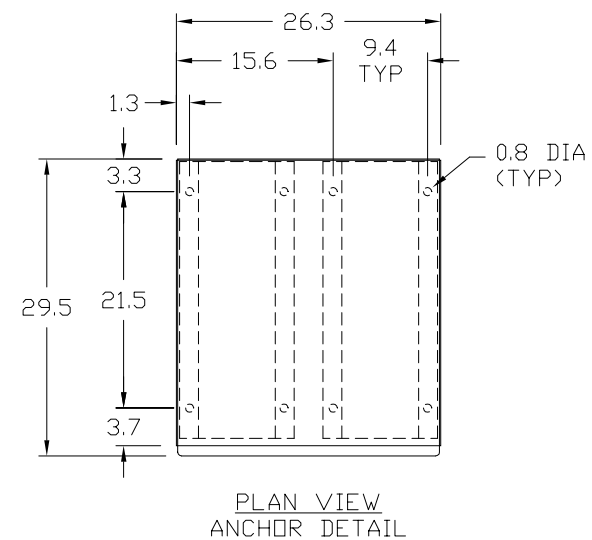
DCF97000400A01

M0000146

1 OF 2

## DC LANDING CABINET - 400 AMPERES

PART NUMBER	UPS SERIES	KVA	BREAKER TRIP UNIT	BREAKER CATALOG NO.	LINE LUGS	LOAD LUGS
LB-97100-4	9700/9800	100	300 AMPS	HKDDC3300-C05-T06	< 8 > #6-350MCM	< 2 > #6-350MCM
LB-97150-4	9700/9800	150	400 AMPS	HKDDC3400-C05-T06	< 8 > #6-350MCM	< 2 > #6-350MCM



**ENCLOSURE NOTES:**

- SERVICE: 500VDC.
- ENCLOSURE: NEMA 1 (UL 50 LISTED ENCLOSURE).
- FRAME: BOLT TOGETHER TRI-SQUARE FORMED CHANNEL OF 10 GAUGE STEEL.
- DOOR: 12 GAUGE PAINTED STEEL EQUIPPED WITH MITSUBISHI HANDLE WITH THREE POINT CATCH.
- FINISH: MITSUBISHI BEIGE POLYESTER POWDERCOAT APPLIED TO SURFACES TREATED WITH AN IRON PHOSPHATE AND CHROME FREE SEALER.
- BUS BAR: ELECTROLYTIC COPPER OF 98% CONDUCTIVITY, BASED ON 1000 AMPS PER SQUARE INCH DENSITY, SILVER PLATED.
- WIRE BENDING GUTTER: MEETS OR EXCEEDS NEC TABLES 373-6(a), 373-6(b).
- BREAKER: WESTINGHOUSE HKDDC 400 AMP FRAME, 3 POLE. BREAKER EQUIPPED WITH THERMAL-MAGNETIC TRIP UNIT (SEE TABLE), TWO AUXILIARY CONTACTS, TWO ALARM CONTACTS, AND 24VDC UNDER VOLTAGE RELEASE.
- BREAKER RATING: 35,000 A. I. C. AT 500VDC.
- LABELING: CABINET PROVIDED WITH UL 891 LABEL.
- AMP CONNECTOR: AMP MIC MALE PLUG #172496-4

FIELD WIRING TERMINATION LABEL  
ATTACHED TO BREAKER MOUNTING  
PAN

DC LANDING BOX WIRES	UPS SERIES		AMP CONNECT. PIN #s
	9700 100-225KVA	9800 100-500KVA	
UVR1	5	3	5
UVR2	6	4	9
AUX1	3	1	2
AUX2	4	2	7
ALM1	1	-	1
ALM2	2	-	6

This Document Contains Proprietary and Confidential Information.  
Duplication, reproduction or use of this document or its contents in any form other than as expressly permitted by Kinney Electrical Mfg. Co., is prohibited.

**MITSUBISHI ELECTRIC**  
VERNON HILLS, ILLINOIS

REVISIONS	PART NO.: SEE TABLE
	DESCRIPTION: 9700 / 9800 DC LANDING CABINET - 400 AMP MAX
	MEAU APPROVED: <i>JMA</i> KINNEY APPROVED: <i>RFM</i> REV.: *
	DATE: 1-18-2001      CAD FILE:      DRAWING NO.:      SHEET:
	DRAWN BY: RFM      DCF97000400A01      M0000146      2 OF 2