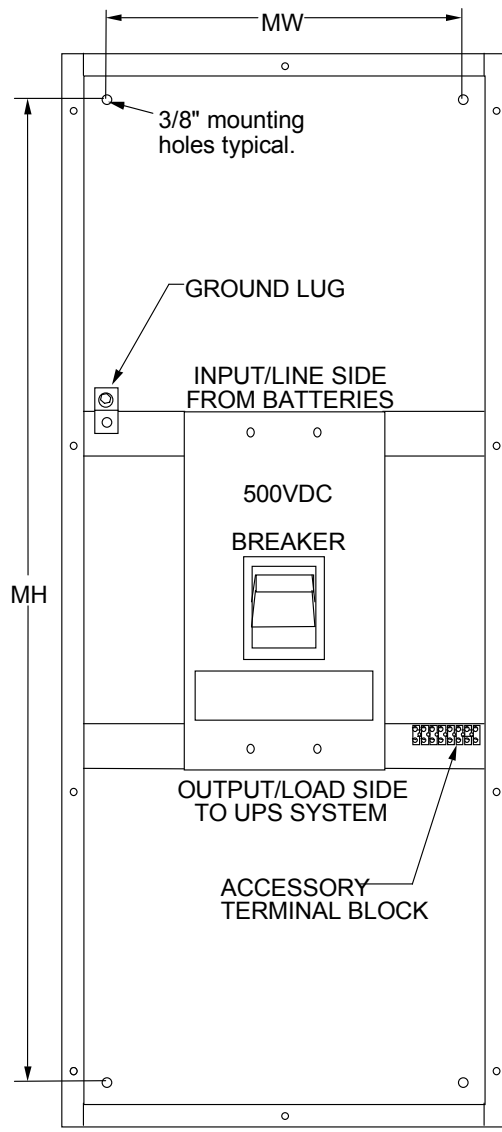


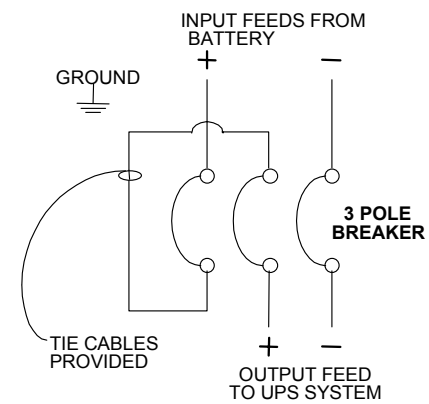
FRONT VIEW



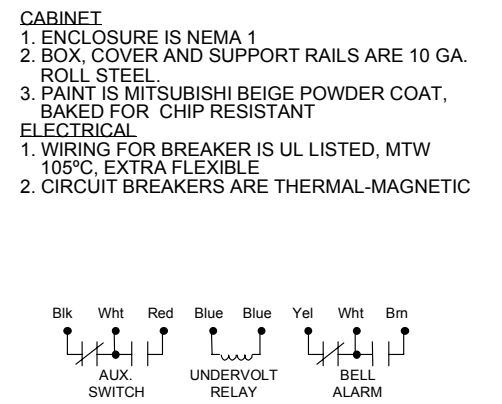
FRONT VIEW
COVER REMOVED

UPS Size	20 KVA	30 KVA	40 KVA	50 KVA	75 KVA
Disconnect Part #	DC-23A020-1	DC-23A030-1	DC-23A040-1	DC-23A050-1	DC-23A075-1
"BW" Box Width	14"	14"	14"	14"	14"
"BH" Box Height	28"	28"	28"	28"	28"
"BD" Box Depth	12"	12"	12"	12"	12"
"MW" Mounting Width	10"	10"	10"	10"	10"
"MH" Mounting Height	24"	24"	24"	24"	24"
Breaker Size Amps	60A.	100A.	125A.	150A.	225A.
Breaker Lug Size	(1)-1/0-#10	(1)-1/0-#10	(1)-3/0-3	(1)-350-6	(1)-350-6
Breaker Tie Cable	(1)-#6	(1)-#4	(1)-#4	(1)-#2	(1)-2/0
Ground Lug Size	(1)-350	(1)-350	(1)-350	(1)-350	(1)-350
UV, Alarm & Aux.	NO	NO	NO	NO	NO
Weight	60 lbs.	60 lbs.	60 lbs.	65 lbs.	65 lbs.

UPS Size	100 KVA	150 KVA	225 KVA	300 KVA	375 KVA
Disconnect Part #	DC-97100-1	DC-97150-1	DC-97225-1	DC-97300-1	DC-97375-1
"BW" Box Width	14"	14"	16"	20"	20"
"BH" Box Height	28"	28"	36"	48"	48"
"BD" Box Depth	12"	12"	12"	16"	16"
"MW" Mounting Width	10"	10"	12"	16"	16"
"MH" Mounting Height	24"	24"	32"	44"	44"
Breaker Size Amps	300A.	400A.	600A.	1000A.	1200A.
Breaker Lug Size	(2)-500-3/0	(2)-500-3/0	(2)-500-3/0	(4)-500-1	(4)-500-1
Breaker Tie Cable	(2)-4/0	(2)-4/0	(2)-4/0	(4)-4/0	(4)-4/0
Ground Lug Size	(1)-350	(1)-350	(1)-350	(1)-350	(1)-350
UV, Alarm & Aux.	YES	YES	YES	YES	YES
Weight	70 lbs.	70 lbs.	80 lbs.	85 lbs.	85 lbs.



TYPICAL BREAKER WIRING



ACCESSORY WIRING

- CABINET**
- ENCLOSURE IS NEMA 1
 - BOX, COVER AND SUPPORT RAILS ARE 10 GA. ROLL STEEL
 - PAINT IS MITSUBISHI BEIGE POWDER COAT, BAKED FOR CHIP RESISTANT
- ELECTRICAL**
- WIRING FOR BREAKER IS UL LISTED, MTW 105°C, EXTRA FLEXIBLE
 - CIRCUIT BREAKERS ARE THERMAL-MAGNETIC

MITSUBISHI ELECTRIC
VERNON HILLS, ILLINOIS

		MITSUBISHI ELECTRIC VERNON HILLS, ILLINOIS			
REVISIONS		PART NO.: C91810, C91822, C91830			
		DESCRIPTION: BATTERY DISCONNECT BOXES			
		MEAU APPROVED: <i>Carl C. Jacobs</i>		REV.: *	
		DATE: 02/05/02		CAD FILE:	
		DRAWN BY: CAC		DRAWING NO.:	
				SHEET:	
				1 OF 1	