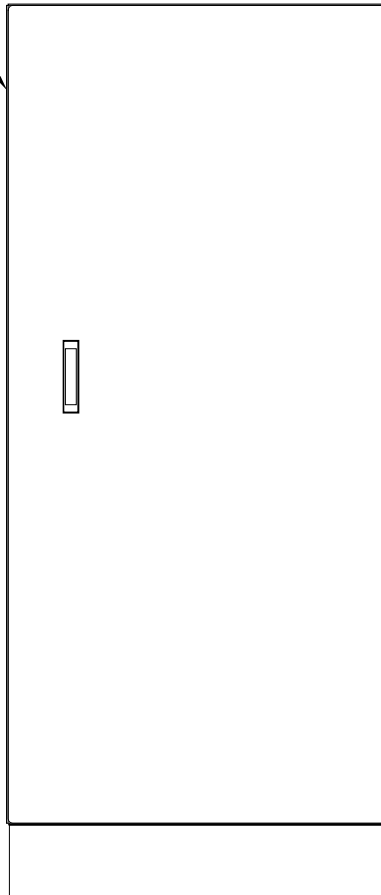
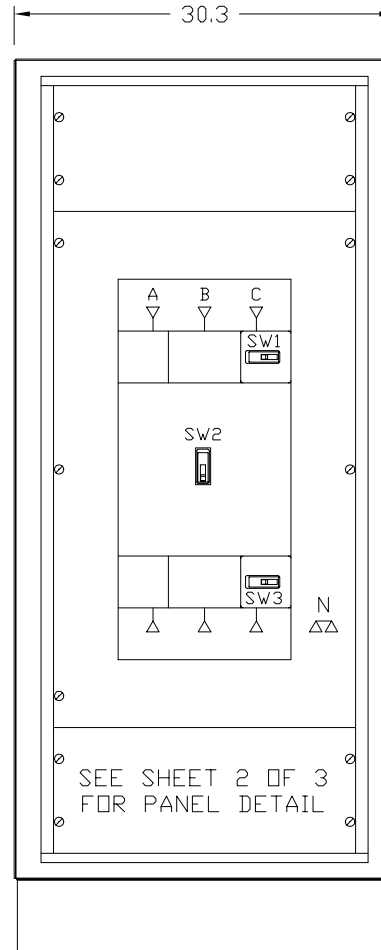


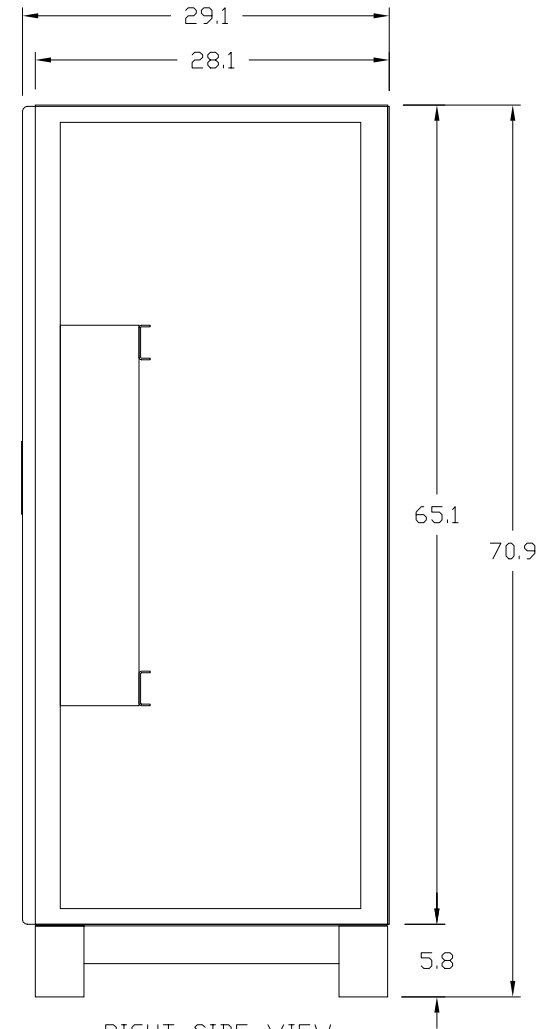
REMOVABLE LEFT  
SIDE COVER



FRONT VIEW  
DOOR SHOWN



FRONT VIEW  
DOOR REMOVED



RIGHT SIDE VIEW  
SIDE COVER REMOVED

This Document Contains Proprietary and Confidential Information.  
Duplication, reproduction or use of this document or its contents in any form other than as expressly permitted by Kinney Electrical Mfg. Co., is prohibited.

MITSUBISHI ELECTRIC  
VERNON HILLS, ILLINOIS

REVISIONS

PART NO.: SEE TABLE

DESCRIPTION: 3 BREAKER 2033A SERIES MBP PANEL - 225 AMP MAX.

MEAU APPROVED: *JMA*

KINNEY APPROVED: *RFM*

REV.: \*

DATE: 11-1-2000

CAD FILE:

DRAWING NO.:

SHEET:

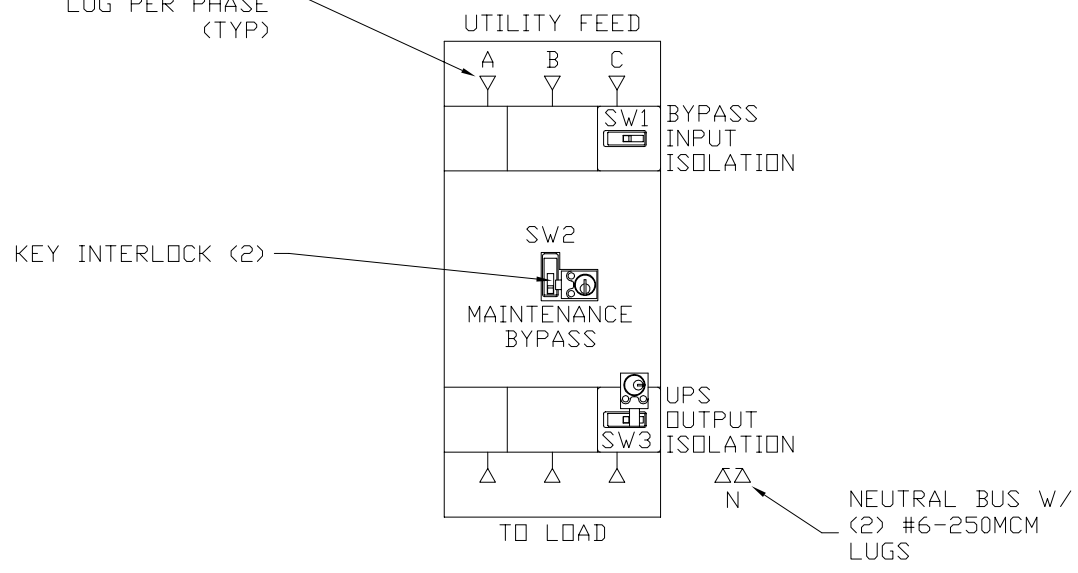
DRAWN BY: RFM

MBF20330225A02

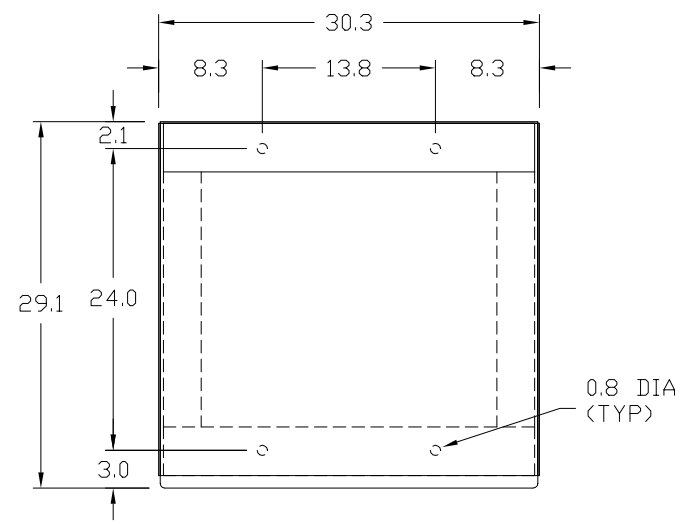
M0000126

1 OF 3

225 AMP M.L.D.  
W/ (1) #6-250MCM  
LUG PER PHASE  
(TYP)



PANEL WITH INTERLOCKS



PLAN VIEW  
ANCHOR DETAIL

This Document Contains Proprietary and Confidential Information.  
Duplication, reproduction or use of this document or its contents in any form other than as expressly permitted by Kinney Electrical Mfg. Co., is prohibited.

MITSUBISHI ELECTRIC  
VERNON HILLS, ILLINOIS

REVISIONS			PART NO.: SEE TABLE		
			DESCRIPTION: 3 BREAKER 2033A SERIES MBP PANEL - 225 AMP MAX.		
			MEAU APPROVED: <i>JMA</i>	KINNEY APPROVED: <i>RFM</i>	REV.: *
			DATE: 11-1-2000	CAD FILE:	DRAWING NO.:
			DRAWN BY: RFM	MBF20330225A02	M0000126
					SHEET: 2 OF 3

**3 BREAKER MAINTENANCE BYPASS PANEL (MBP) 15-225 AMPERES**

PART NUMBER:

FB233-X X X-125-208 N

A.I.C. RATING OPTION

ACCESSORY OPTION 1

ACCESSORY OPTION 2

INTERLOCK OPTION

PART NUMBER	UPS SERIES	KVA	BREAKER TYPE	AMPERES	SERVICE	A. I. C. RATING
FB233-CDP-125-208N	2033A	30	ED	125	208/120V	65,000
FB233-CDP-150-208N	2033A	40	ED	150	208/120V	65,000
FB233-CDP-175-208N	2033A	50	ED	175	208/120V	65,000

A.I.C. RATING CODES:

H - HIGH INTERRUPTING  
U - ULTRA HIGH INTERRUPTING

INTERLOCK OPTION:

K - KEY INTERLOCK  
N - NONE

ACCESSORY CODES:

- 1 - 1a/1b AUXILIARY SWITCH
- 2 - 2a/2b AUXILIARY SWITCH
- 3 - 24VDC UNDER VOLTAGE RELEASE
- 4 - 1m/1b ALARM/LOCKOUT SWITCH
- 5 - 1a/1b AUXILIARY & 1m/1b ALARM SWITCH

NOTES:

- 1. ACCESSORIES NORMALLY INSTALLED ON SW2.
- 2. PUT LOWEST CODE IN OPTION 1, i.e. 12, 24.

A. I. C. RATING	208/120V	RATING CODE
25,000	--	--
35,000	--	--
65,000	ED	--
100,000	EDH	H
200,000	EDC	U

ENCLOSURE NOTES:

ENCLOSURE: NEMA 1 (UL 50 LISTED ENCLOSURE).

FRAME: BOLT TOGETHER TRI-SQUARE FORMED CHANNEL OF 10 GAUGE STEEL, NO KNOCKOUTS.

DOOR: 12 GAUGE PAINTED STEEL EQUIPPED WITH MITSUBISHI HANDLE WITH THREE POINT CATCH.

FINISH: MITSUBISHI BEIGE POLYESTER POWDERCOAT APPLIED TO SURFACES TREATED WITH AN IRON PHOSPHATE AND CHROME FREE SEALER.

MAINTENANCE BYPASS PANEL NOTES:

KINNEY PANEL TYPE: CDP (UL 67 LISTED INTERIOR)

SERVICE: SEE TABLE ABOVE.

BUS : ELECTROLYTIC COPPER OF 98% CONDUCTIVITY, BASED ON 1000 AMPS PER SQUARE INCH DENSITY.

WIRE BENDING GUTTER: MEETS OR EXCEEDS NEC TABLES 373-6(a), 373-6(b).

BREAKERS: WESTINGHOUSE THERMAL-MAGNETIC, 225 AMP FRAME, 3 POLE, TRIP AS INDICATED:

SEE TABLE ABOVE FOR BREAKER TYPE, AMPERES, AND A.I.C. RATING.

BREAKER TERMINAL LUG: (1) #4-4/0 PER PHASE.

KEY INTERLOCK: KIRK TYPE F, BREAKERS ARE INTERLOCKED SO AT LEAST ONE BREAKER IS ON AT ANY GIVEN TIME.

This Document Contains Proprietary and Confidential Information.  
Duplication, reproduction or use of this document or its contents in any form other than as expressly permitted by Kinney Electrical Mfg. Co., is prohibited.

**MITSUBISHI ELECTRIC**  
VERNON HILLS, ILLINOIS

REVISIONS

PART NO.: SEE TABLE

NO.	DESCRIPTION	DATE	BY	APPROVED	REV.
1	REVISED BKR. NOTES 5-24-01	11-1-2000	RFM	RFM	1

DESCRIPTION: 3 BREAKER 2033A SERIES MBP PANEL - 225 AMP MAX.

MEAU APPROVED: *Jma*

KINNEY APPROVED: *RFM*

REV.: 1

DATE: 11-1-2000

CAD FILE:

DRAWING NO.:

SHEET:

DRAWN BY: RFM

MBF20330225A02

M0000126

3 OF 3