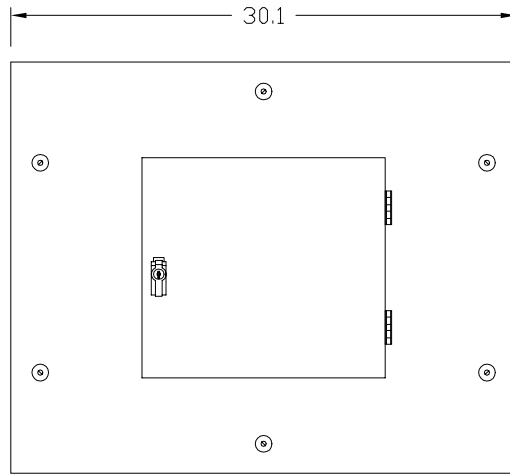
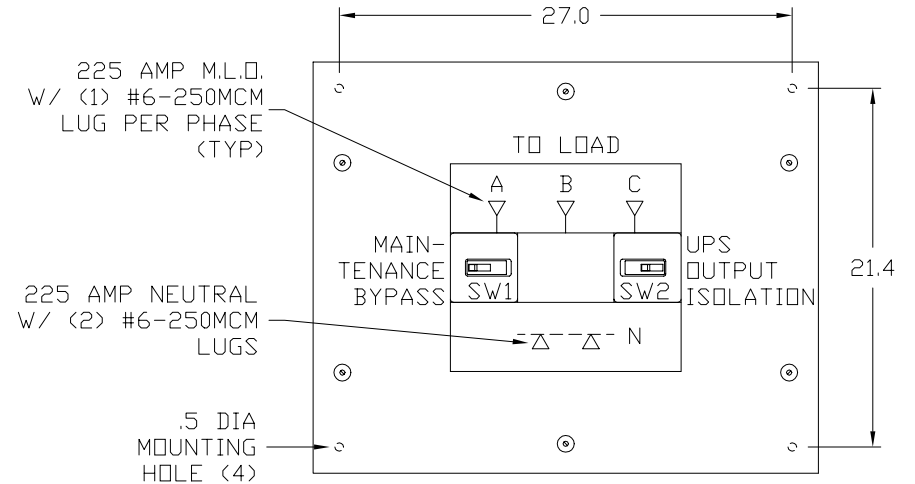


LEFT SIDE VIEW



FRONT VIEW



FRONT VIEW
DOOR REMOVED

This Document Contains Proprietary and Confidential Information. Duplication, reproduction or use of this document or its contents in any form other than as expressly permitted by Kinney Electrical Mfg. Co., is prohibited.

MITSUBISHI ELECTRIC
VERNON HILLS, ILLINOIS

REVISIONS

PART NO.: SEE TABLE

1 REV. DEPTH & LABELS 10-23-00

DESCRIPTION: 2 BREAKER MBP PANEL - 225 AMP MAX.

MEAU APPROVED: *JMA*

KINNEY APPROVED: *RFM*

REV.: 1

DATE: 1-24-2000

CAD FILE:

DRAWING NO.:

SHEET:

DRAWN BY: RFM

MBWXXXX0225A01

M0000104

1 OF 2

2 BREAKER MAINTENANCE BYPASS PANEL (MBP) 15-225 AMPERES

PART NUMBER:

WB232-X X X-125-208N

A.I.C. RATING OPTION

ACCESSORY OPTION 1

ACCESSORY OPTION 2

A.I.C. RATING CODES:

H - HIGH INTERRUPTING
U - ULTRA HIGH INTERRUPTING

ACCESSORY CODES:

- 1 - 1a/1b AUXILIARY SWITCH
- 2 - 2a/2b AUXILIARY SWITCH
- 3 - 24VDC UNDER VOLTAGE RELEASE
- 4 - 1m/1b ALARM/LOCKOUT SWITCH
- 5 - 1a/1b AUXILIARY & 1m/1b ALARM SWITCH

NOTES:

- 1. ACCESSORIES NORMALLY INSTALLED ON SW1.
- 2. PUT LOWEST CODE IN OPTION 1, i.e. 12, 24.

PART NUMBER	UPS SERIES	KVA	BREAKER TYPE	AMPERES	SERVICE	A. I. C. RATING
WB232-CDP-125-208N	2033A	30	ED	125	208/120V	65,000
WB232-CDP-150-208N	2033A	40	ED	150	208/120V	65,000
WB232-CDP-175-208N	2033A	50	ED	175	208/120V	65,000
WB972-CDP-150-480N	9700/9800	100	FD	150	480/277V	25,000
WB972-CDP-225-480N	9700/9800	150	FD	225	480/277V	25,000
WB972-CDP-125-600N	9700/9800	100	FD	125	600V	18,000
WB972-CDP-200-600N	9700/9800	150	FD	200	600V	18,000

A. I. C. RATING	208/120V	RATING CODE	480/277V	RATING CODE	600V	RATING CODE
25,000	--	--	FD	--	HFD	H
35,000	--	--	--	--	FDC	U
65,000	ED	--	HFD	H	--	--
100,000	EDH	H	FDC	U	--	--
200,000	EDC	U	--	--	--	--

KINNEY PANEL TYPE: CDP (UL 67 LISTED INTERIOR)

SERVICE: SEE TABLE ABOVE.

ENCLOSURE: NEMA 1 (UL 50 LISTED ENCLOSURE)

BOX: 12 GAUGE PAINTED STEEL, NO KNOCKOUTS.

TRIM: 12 GAUGE PAINTED STEEL, HELD TO BOX WITH ADJUSTABLE TRIM CLAMPS - SURFACE MOUNTING.

DOOR: EQUIPPED WITH ONE 3 X 5 DIRECTORY CARDHOLDER AND CORBIN 15767 SNAPLOCK.

FINISH: MITSUBISHI BEIGE POLYESTER POWDERCOAT APPLIED TO SURFACES TREATED WITH AN IRON PHOSPHATE AND CHROME FREE SEALER.

BUS: ELECTROLYTIC COPPER OR 98% CONDUCTIVITY, BASED ON 1000 AMPS PER SQUARE INCH DENSITY.

WIRE BENDING GUTTER: MEETS OR EXCEEDS NEC TABLES 373-6(a), 373-6(b).

BREAKERS: WESTINGHOUSE THERMAL-MAGNETIC, 225 AMP FRAME, 3 POLE, TRIP AS INDICATED: SEE TABLE ABOVE FOR BREAKER TYPE, AMPERES, AND A. I. C. RATING.

BREAKER TERMINAL LUG: (1) #4-4/0 PER PHASE.

This Document Contains Proprietary and Confidential Information.
Duplication, reproduction or use of this document or its contents in any form other than as expressly permitted by Kinney Electrical Mfg. Co., is prohibited.

MITSUBISHI ELECTRIC
VERNON HILLS, ILLINOIS

REVISIONS

PART NO.: SEE TABLE

1	ADDED 600V P/N'S 10-23-00			DESCRIPTION: 2 BREAKER MBP PANEL - 225 AMP MAX.
			MEAU APPROVED: <i>Jma</i>	KINNEY APPROVED: <i>RFM</i>
			DATE: 1-24-2000	CAD FILE: DRAWING NO.: SHEET:
			DRAWN BY: RFM	MBWXXXX0225A01 M0000104 2 OF 2
				REV.: 1