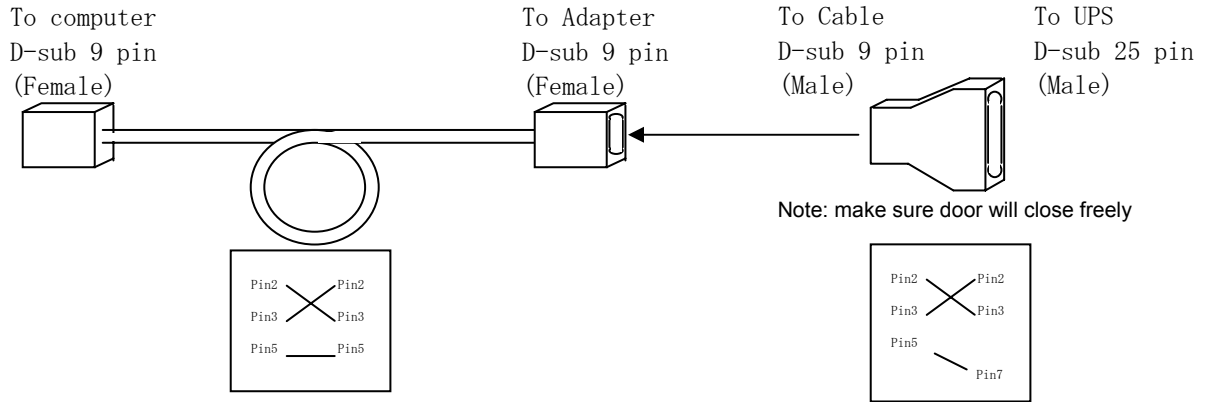
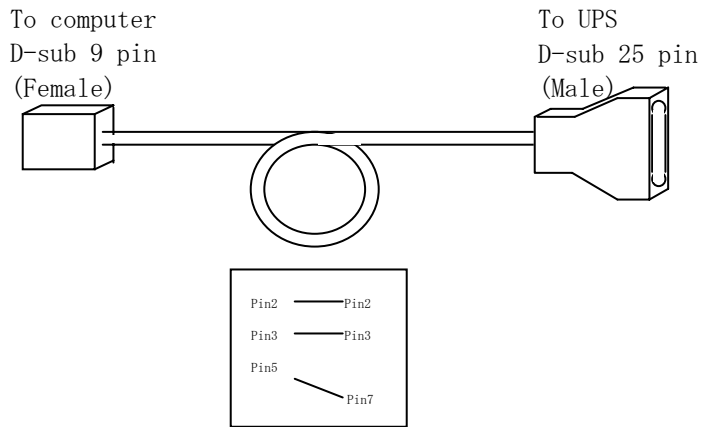


Cable used on 2033AD & 9700 series UPS (Mitsubishi Protocol)



OR



Cable used on 7011A, 2033C, 2033D, & 9800 series UPS (SEC Protocol)

