

MITSUBISHI ELECTRIC TRANSFORMER MONITORING

Portable DGA (Dissolved Gas Analyzer)

<Model : PGA-200>

Portable Dissolved Gas Analyzer (PGA-200) is used to analyze 6 kinds of dissolved gases in transformer oil, thereby improving prompt action of maintenance and reducing maintenance cost.

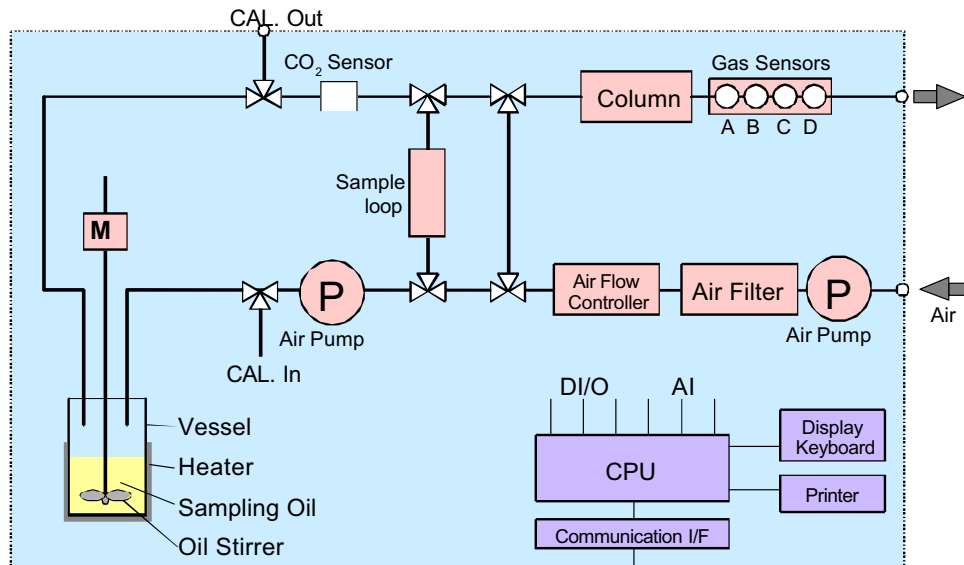
Operation of this apparatus is easily done after setting the sample oil which is sampled from transformer. A whole operation sequence of this apparatus is controlled by a micro-processor. It has the advantage of being handy to carry.

Features

- Analysis of TCG (Total Combustible Gas) and 6 kinds of Gases
- Quick Measurement (10 minutes)
- Small amount of oil sample (50 cc)
- Compact and Light
- Equipped with Communication Interface



Configuration



Specifications



ITEMS		CONTENTS	
Performance	Objective Gas and Measurement Range (ppm)	C ₂ H ₂ (Acetylene)	3 - 2,000
		CO (Carbon Monoxide)	30 - 2,000
		H ₂ (Hydrogen)	20 - 2,000
		CH ₄ (Methane)	
		C ₂ H ₄ (Ethylene)	30 - 2,000
		C ₂ H ₆ (Ethane)	
		<Option> CO ₂ (Carbon Dioxide)	1000 - 10,000
	TCG	50 - 10,000	
	Measurement Accuracy(%)	+/-30	
	Measurement Time (min)	10	
Oil Volume of measurement(ml)	50		
Extraction Method	Oil Stirring Up and Circulating Air above Oil		
Carrier Gas	Air		
Operation Pannel	Character Display (4x40) Keyboard (22Keys)		
General Specifications	Dimmension (mm) and Weight	W430XD290XH360 16kg	
	Power Supply	Single phase, AC 100V(50/60Hz), 200VA MAX. Available for other voltage by adding TX.	
	Working Enviroment (degree C)	0 - 40	
Remarks		Analysis of 6 Kinds of Gases Communication I/F(RS-232C)	

Contacts

- Mitsubishi Electric Power Products, Inc.**
 530 Keystone Drive, Warrendale, PA 15086
 Telephone: 724-778-5236 Fax: 724-778-5149
- Ako Transformer Department**
 651 Tenwa, Ako-city, Hyogo 678-0256
 Telephone: +81-791-46-2144 , Fax: +81-791-46-2387